



Apex Microwave Co. LTD

Web: www.apextech-mw.com E-mail: sales@apextech-mw.com TEL: [+86-28-85555062](tel:+86-28-85555062)

Add: Yuehu Technology Center, Wuhou District, Chengdu, Sichuan, China

Power Tapper 136-5930MHz

Revision record

Date	Version	Author	Revision description	Comment
2024/09/27	V1.2	Vivian	Created	/
2024/10/30	V1.3	Vivian	Updated the Coupling and VSWR	Apex suggest
2024/11/04	V1.4	Vivian	Updated the Main Loss	Apex suggest
2024/11/05	V1.5	Vivian	Updated the Coupling and Main Loss	Apex suggest

APT136M5930MxdBNF

Electrical specification

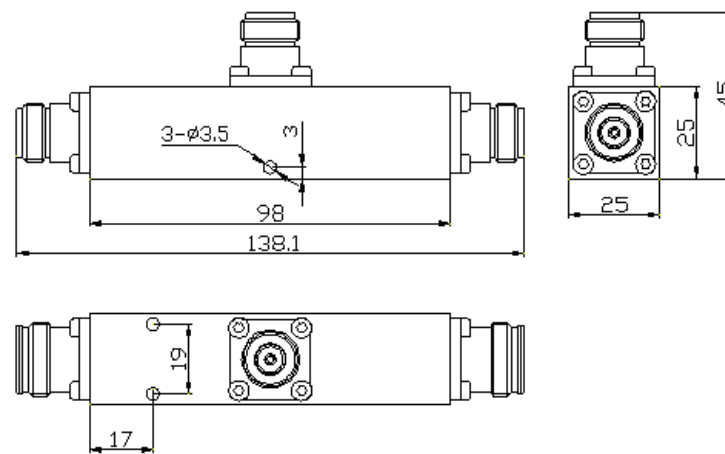
Parameter		Specifications								
Frequency range(MHz)		136-340 / 340-520 / 698-960 / 1710-2700 / 3500-4500 / 4900-5930MHz								
Ratio Nominal		2:1 3dB	3:1 5dB	4:1 6dB	6:1 8dB	10:1 10dB	20:1 13dB	30:1 15dB	100:1 20dB	1000:130dB
Coupling (dB)	136-.340	5 +0/-2.8	6 +0/-2.8	7 +0/-2.8	8 +0/-2.8	10 +0/-2.5	13 +0.5/-1.8	15 +0.5/-1.5	20 ±1.2	30 ±1.5
	340-.520	5 ±1.0	6 ±1.0	7 ±1.0	8 0/-1.0	10 ±1.0	13 ±1.0	15 ±1.0	20 ±1.2	30 ±1.5
	694-.960	5 ±1.0	6 ±1.0	7 ±1.0	8 ±1.0	10 ±1.0	13 ±1.0	15 ±1.0	20 ±1.2	30 ±1.5
	1710-2700	5	6	7	8	10	13	15	20	30

		±1.0	±1.0	±1.0	±1.0	±1.0	±1.0	±1.0	±1.0	±1.2	±1.5
	3500-4500	5 ±1.0	6 ±1.0	7 ±1.0	8 ±1.0	10 ±1.0	13 ±1.0	15 ±1.0	20 ±2.0	30 ±3.0/-1.0	
	4900-5930	5 ±1.0	6 ±1.0	7 ±1.0	8 ±1.0	10 ±1.0	13 ±1.5	15 ±1.5	20 ±2.0	30 ±2.5	
VSWR	694-.2700	1.3:1	1.25:1	1.2:1	1.2:1	1.2:1	1.2:1	1.2:1	1.2:1	1.2:1	1.2:1
	350-.5930	1.50:1	1.45:1	1.35:1	1.35:1	1.35:1	1.30:1	1.30:1	1.30:1	1.30:1	1.30:1
Main Loss(dB) (theoretical data)		1.7	1.3	1.0	0.8	0.5	0.2	0.1	0.1	0.1	0.1
Main Loss(dB) (test data)		2.3	1.7	1.5	1.2	0.8	0.5	0.4	0.4	0.4	0.3
Intermodulation (dBc)		-161, 2x43dBm									
Power Rating(W)		500									
Impedance(Ω)		50									
Operational Temperature		-35°C to +65°C									

Mechanical specification

Dimension	138.1x 45.0 x 25.0mm
Connector	N-Female
Applications	IP67
Notes	Material shall be RoHS 6/6

Outline





Apex Microwave Co. LTD

Web: www.apextech-mw.com E-mail: sales@apextech-mw.com TEL: [+86-28-85555062](tel:+86-28-85555062)

Add: Yuehu Technology Center, Wuhou District, Chengdu, Sichuan, China

APT136M5930MxdB4310F

Electrical specification

Parameter		Specifications								
Frequency range(MHz)		136-340 / 340-520 / 698-960 / 1710-2700 / 3500-4500 / 4900-5930MHz								
Ratio Nominal		2:1 3dB	3:1 5dB	4:1 6dB	6:1 8dB	10:1 10dB	20:1 13dB	30:1 15dB	100:1 20dB	1000:130d B
Coupling (dB)	136-.340	5 +0/-2.8	6 +0/-2.8	7 +0/-2.8	8 +0/-2.8	10 +0/-2.5	13 +0.5/-1.8	15 +0.5/-1.5	20 ±1.2	30 ±1.5
	340-.520	5 ±1.0	6 ±1.0	7 ±1.0	8 0/-1.0	10 ±1.0	13 ±1.0	15 ±1.0	20 ±1.2	30 ±1.5
	694-.960	5 ±1.0	6 ±1.0	7 ±1.0	8 ±1.0	10 ±1.0	13 ±1.0	15 ±1.0	20 ±1.2	30 ±1.5
	1710-2700	5 ±1.0	6 ±1.0	7 ±1.0	8 ±1.0	10 ±1.0	13 ±1.0	15 ±1.0	20 ±1.2	30 ±1.5
	3500-4500	5 ±1.0	6 ±1.0	7 ±1.0	8 ±1.0	10 ±1.0	13 ±1.0	15 ±1.0	20 ±2.0	30 +3.0/-1.0
	4900-5930	5 ±1.0	6 ±1.0	7 ±1.0	8 ±1.0	10 ±1.0	13 ±1.5	15 ±1.5	20 ±2.0	30 ±2.5
VSWR	694-.2700	1.3:1	1.25:1	1.2:1	1.2:1	1.2:1	1.2:1	1.2:1	1.2:1	1.2:1
	350-.5930	1.50:1	1.45:1	1.35:1	1.35:1	1.35:1	1.30:1	1.30:1	1.30:1	1.30:1
Main Loss(dB) (theoretical data)		1.7	1.3	1.0	0.8	0.5	0.2	0.1	0.1	0.1
Main Loss(dB) (test data)		2.3	1.7	1.5	1.2	0.8	0.5	0.4	0.4	0.3
Intermodulation (dBc)		-161, 2x43dBm								



Apex Microwave Co. LTD

Web: www.apextech-mw.com E-mail: sales@apextech-mw.com TEL: +86-28-85555062

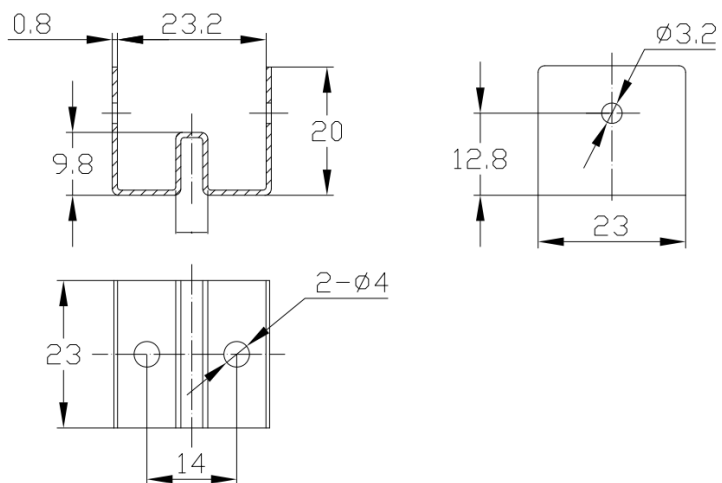
Add: Yuehu Technology Center, Wuhou District, Chengdu, Sichuan, China

Power Rating(W)	500
Impedance(Ω)	50
Operational Temperature	-35°C to +65°C

Mechanical specification

Dimension	138.1x 45.0 x 25.0mm
Connector	4310-Female
Applications	IP67
Notes	Material shall be RoHS 6/6

Mounting bracket front panel layout



Outline

